

MULTIFUNCTION / COUNTING SCALES

BIL6	max 6 kg	0.1 g
BIL15	max 15 kg	0.2 g
BIL30	max 30 kg	0.5 g
* VERIBIL6	max 3/6 kg	1/2 g
* VERIBIL15	max 6/15 kg	2/5 g
* VERIBIL30	max 15/30 kg	5/10 g

OPTIONS ON REQUEST :

- Calibration with SIT traceability certificate
- **PIATTOBAC** stainless steel deep tray 230 x 300 x h 40 mm ..
- **STAVT** desk thermal printer with real-time clock
- **CARTASTAVT** thermal paper roll (width 57.5 mm; length 15 m; outside diameter 40 mm)
- **CARTAFISCADE** thermal adhesive paper roll (width 57.5 mm; length 15 m; outside diameter 50 mm)

* **CE-M APPROVED versions equipped with metric seal (Initial Verification)**



(Legal for trade use)

Main Functions

- Counting function with displaying in sequence the number of pieces, the average unit weight of each piece, total weight of the pieces.
- RS232 Output for connection to PC or impact printer series STAVT to print customer Logo or header, date, time, net weight, average unit weight, No. of pieces, total weight, Total number of pieces.
- Display backlight command.
- Automatic / manual totalization of weighings.
- Weight in percentage %.
- Check of weight / pieces / percentage by visual and acoustic alarms with two thresholds programmable.
- Automatic shutdown programmable (energy saving).
- Possibility to change the unit of measurement: kg to g.

STAVT

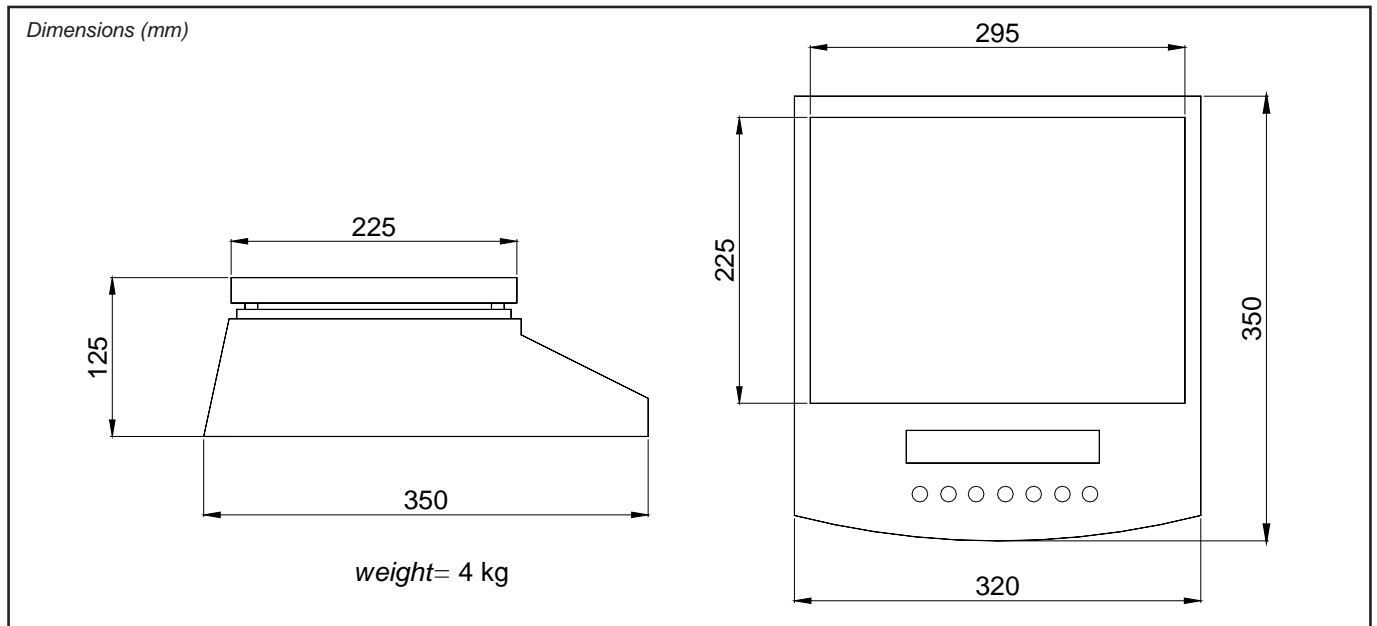


PLATE



Features :

- Backlit LCD display with 6 digits (24 mm high), 7 segment.*
- 7-key impermeable keypad.*
- Stainless steel plate 225 x 295 mm.*
- Plastic protection cover.*
- Power supply: rechargeable internal battery 6V 4Ah (70-hour operating time)*
- with 230VAC power adapter included to recharge battery.*
- Feet adjustable and bubble level.*
- Printed user's manual included in the supply.*



(PRINTOUT OF TOTALIZATION OF WEIGHTS)

/ firstitem

(PRINTOUT OF TOTALIZATION OF PIECES)

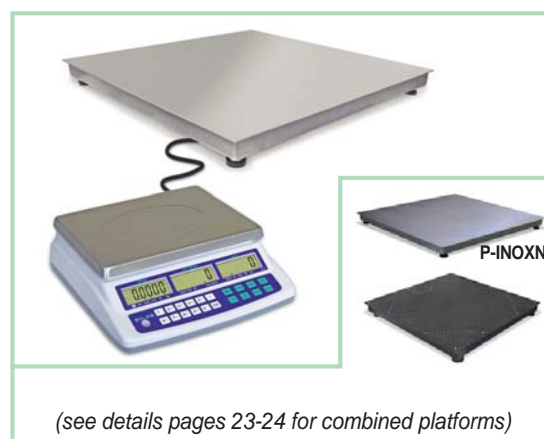
/ firstitem

BIL2B6	max 6 kg	0.1 g / division.....
BIL2B15	max 15 kg	0.2 g / division.....
BIL2B30	max 30 kg	0.5 g division.....

OPTIONS ON REQUEST :

- Calibration with SIT traceability certificate .
- PIATTOBAC** stainless steel deep tray 230 x 300 x h 40 mm
- STAVT** desk thermal printer with real-time clock
- **CARTASTAVT** thermal paper roll (width 57.5 mm; length 15 m; outside diameter 40 mm)
- **CARTAFISCADE** thermal adhesive paper roll (width 57.5 mm; length 15 m; outside diameter 50 mm)

Example of application with remote platform



(see details pages 23-24 for combined platforms)

Main Functions

- Input for connection to a remote weighing platform.
- Counting function (also on remote weighing platform); normally the operator performs the sampling of the pieces on the BIL2B and counting large quantities on the remote platform (choose between our range).
- Storing up to 100 items (PLU memories), for each item you can store and recall form keypad: alphanumeric description (name), preset tare value, average unit weight calculated by automatic sampling or programmable by keypad.
- Simultaneous displaying of the number of pieces, the average unit weight of each piece, total weight of the pieces.
- RS232 output for connection to PC or printer:
 PC (continuous/bidirectional): setting PLU, zero-setting command, reading ID scale, net weight, gross weight, totalizing pieces, ect.
 Printer mod. STAVT: customer Logo or header, date, time, item name, ID scale, scale type, net weight, average unit price, number of pieces, total weight, total number of pieces.
- Display backlight command.
- Automatic / manual totalization of weighing.
- Check of weight / pieces / percentage by visual and acoustic alarms with two thresholds programmable.
- Automatic shutdown programmable (energy saving).

STAVT

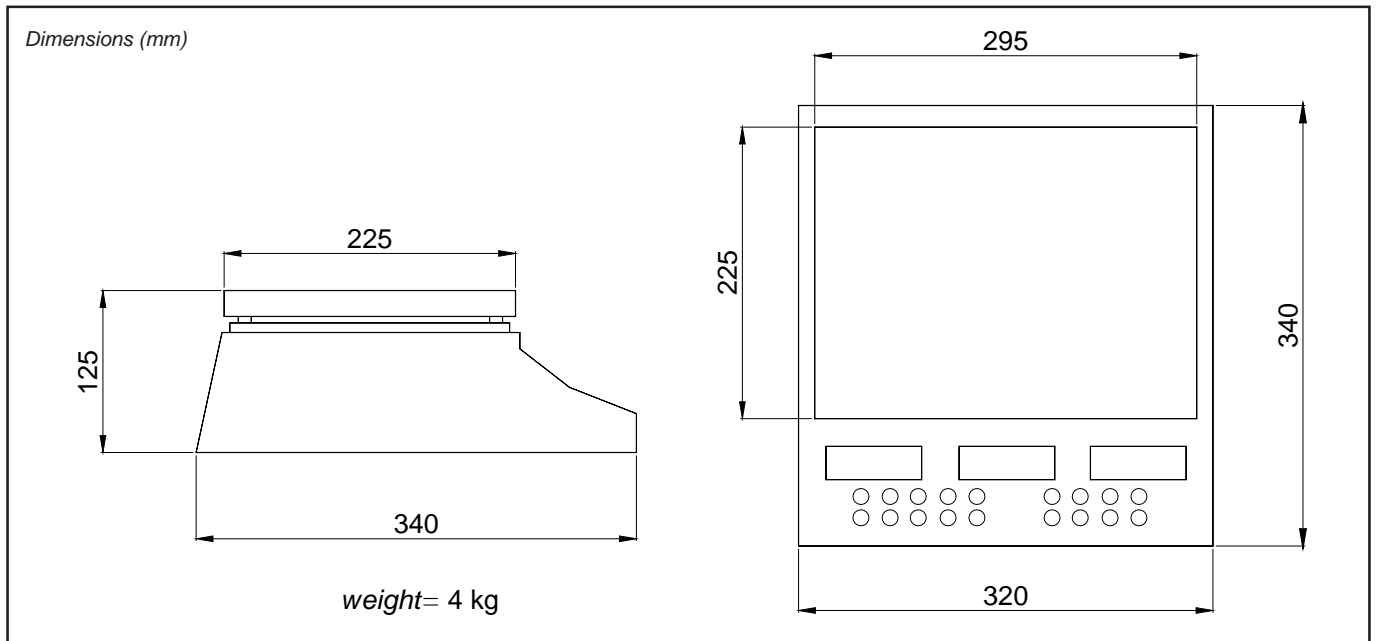


PLATEBAC



Features :

- 3 backlit LCD displays with 6 digits (20 mm high), 7 segment.
- 20-key impermeable keypad.
- Stainless steel plate 225 x 295 mm.
- Plastic protection cover.
- Power supply: rechargeable internal battery 6V 4Ah (70-hour operating time) with 230VAC power adapter included to recharge battery.
- Feet adjustable and bubble level.
- Printed user's manual included in the supply.



BILP6	max 3/6 kg.....	1/2 g division
BILP15	max 6/15 kg.....	2/5 g division
BILP30	max 15/30 kg.....	5/10 g division

OPTIONS ON REQUEST :

- Calibration with SIT traceability certificate
- **PLATEBAC** stainless steel deep tray 230 x 300 x h 40 mm.....
- **STAVT** desk thermal printer with real-time clock
- **CARTASTAVT** thermal paper roll (width 57.5 mm; length 15 m; outside diameter 40 mm)
- **CARTAFISCADE** thermal adhesive paper roll (width 57.5 mm; length 15 m; outside diameter 50 mm)

CE-M APPROVED SYSTEM equipped with metric seal (First Verification)



APPORT (Legal for trade use)



Main Functions

- Simultaneous indication of weight, unit price and amount.
- Storing up to 100 unit prices (PLU memories) easily recallable from the keypad.
- RS232 Output for connection to impact printer mod. STAVT (optional) to print customer Logo or header, date, time, net weight, unit price, individual amount and total amount.
- Display backlight command.
- Automatic shutdown programmable (energy saving).
- Change of unit price: €/kg - €/100g.
- Displaying of the individual amount and total amount.
- Calculation of the change.
- Automatic deletion of price and tare.

STAVT



PLATEBAC



Features :

3 backlit LCD displays on the operator's side and 3 backlit LCD displays on customer's side with 6 digits 20 mm high, 7 segment.

20-key impermeable keypad.

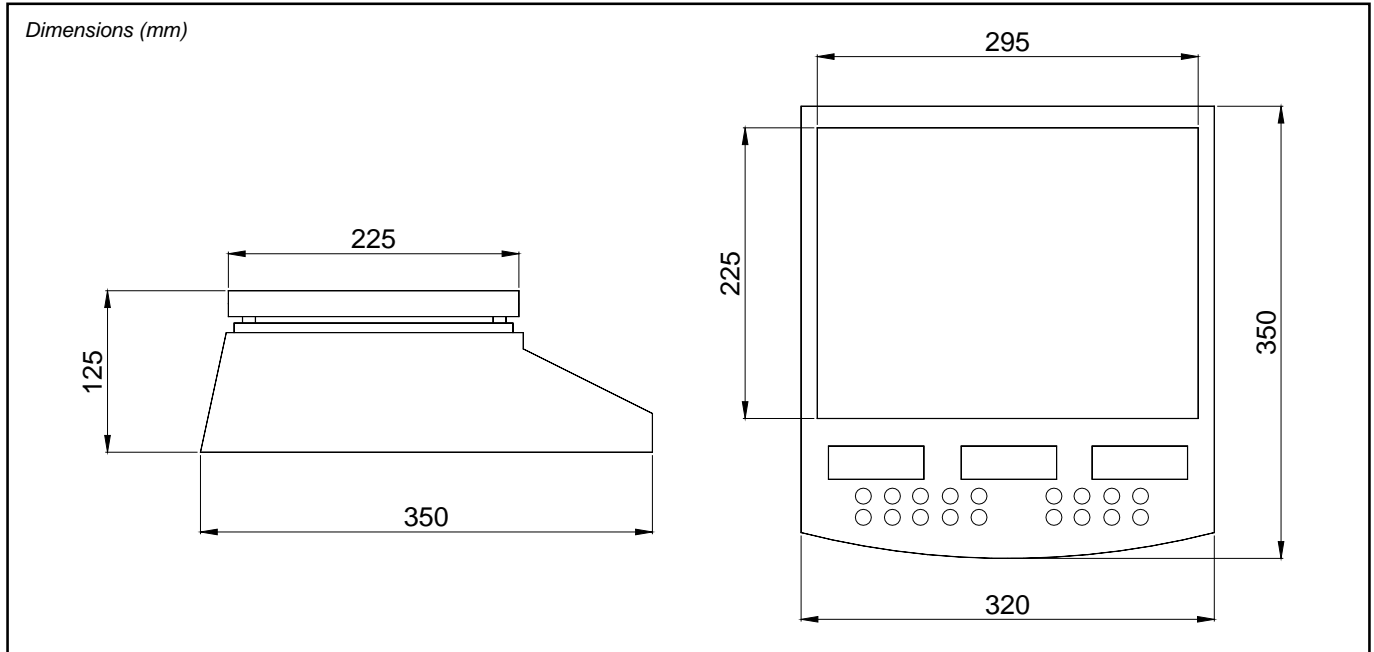
Stainless steel plate 225 x 295 mm.

Plastic protection cover.

Power supply: rechargeable internal battery 6V 4Ah (70-hour operating time) with 230VAC power adapter included to recharge battery.

Feet adjustable and bubble level.

Printed user's manual included in the supply.



BILPA6	max 3/6 kg....	1/2 g division
BILPA15	max 6/15 kg..	2/5 g division
BILPA30	max 15/30 kg ..	5/10 g division

OPTIONS ON REQUEST :

- Calibration with SIT traceability certificate
- **PIATTOBAC** stainless steel deep tray 230 x 300 x h 40 mm
- **STAVT** desk thermal printer with real-time clock
- **CARTASTAVT** thermal paper roll (width 57.5 mm; length 15 m; outside diameter 40 mm)
- **CARTAFISCADE** thermal adhesive paper roll (width 57.5 mm; length 15 m; outside diameter 50 mm)

CE-M APPROVED SYSTEM equipped with metric seal (First Verification)

STAVT



PLATEBAC



APPORT (Legal for trade use)

(swivel column for customer's side)



Main Functions

- Simultaneous indication of weight, unit price and amount.
- **Storing up to 100 unit prices (PLU memories)** easily recallable from the keypad.
- RS232 Output for connection to impact printer mod. STAVT (optional) to print customer Logo or header, date, time, net weight, unit price, individual amount and total amount.
- Display backlight command.
- Automatic shutdown programmable (energy saving).
- Change of unit price: €/kg - €/100g.
- Displaying of the individual amount and total amount.
- Calculation of the change.
- Automatic deletion of price and tare.

Features :

3 backlit LCD displays on the operator's side and 3 backlit LCD displays placed on rotating column for customer's side, with 6 digits 20 mm high, 7 segment.

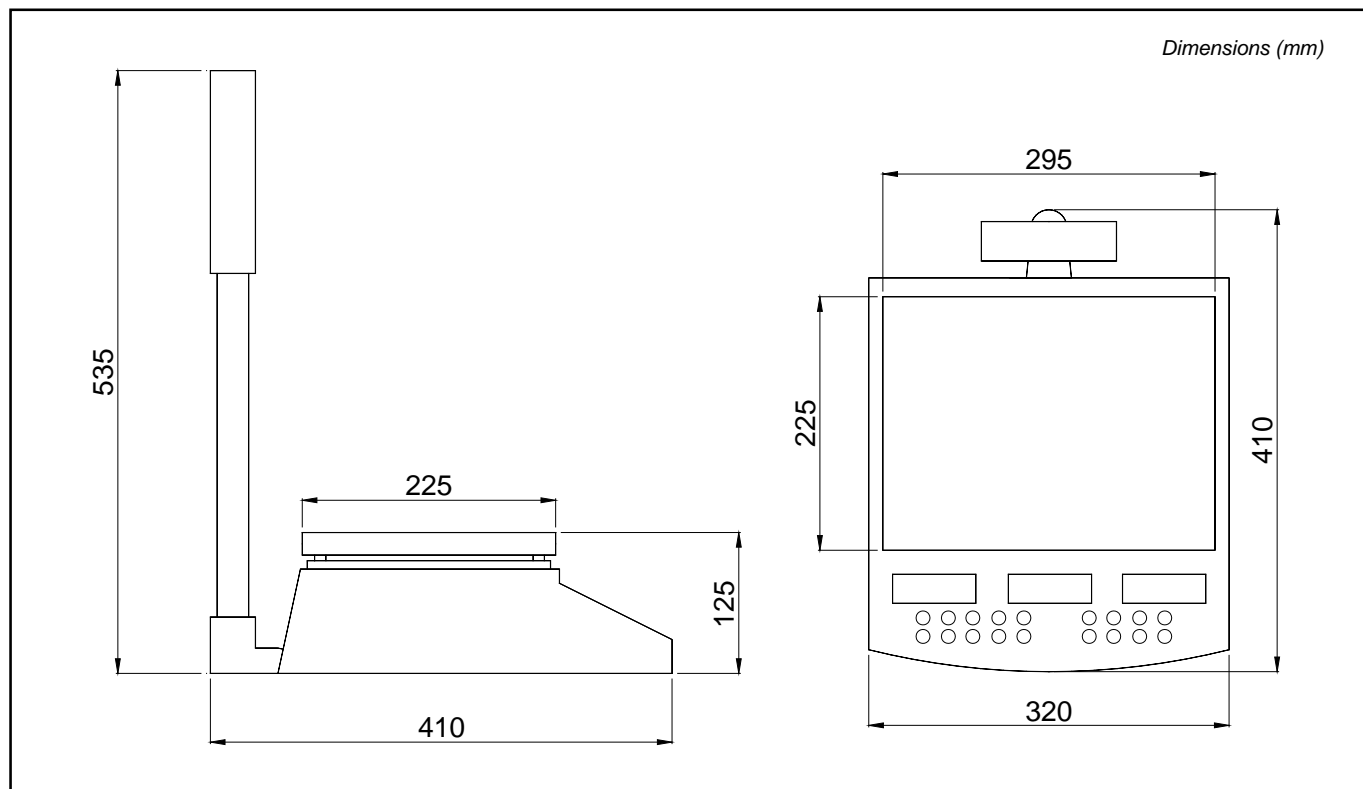
20-key impermeable keypad.

Stainless steel plate 225 x 295 mm.

Plastic protection cover.

Power supply: rechargeable internal battery 6V 4Ah (70-hour operating time) with 230VAC power adapter included to recharge battery. Feet adjustable and bubble level.

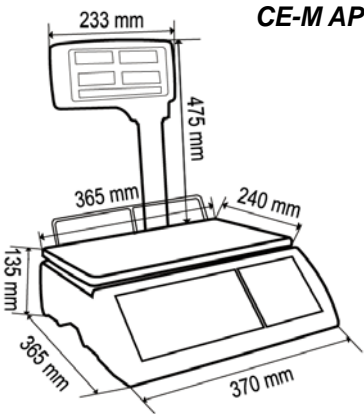
Printed user's manual included in the supply.



BILPSTA6 max 3/6 kg - 1/2 g divisione / division
BILPSTA15 max 6/15 kg - 2/5 g divisione / division
BILPSTA30 max 15/30 kg - 5/10 g divisione / division

OPTIONS ON REQUEST :

- Calibration with SIT traceability certificate
- **PLATEBACSTA** stainless steel deep tray 240 x 340 x h 40 mm
- **CARTAFISCADE** thermal adhesive paper roll (width 57.5 mm; length 15 m; outside diameter 50 mm)

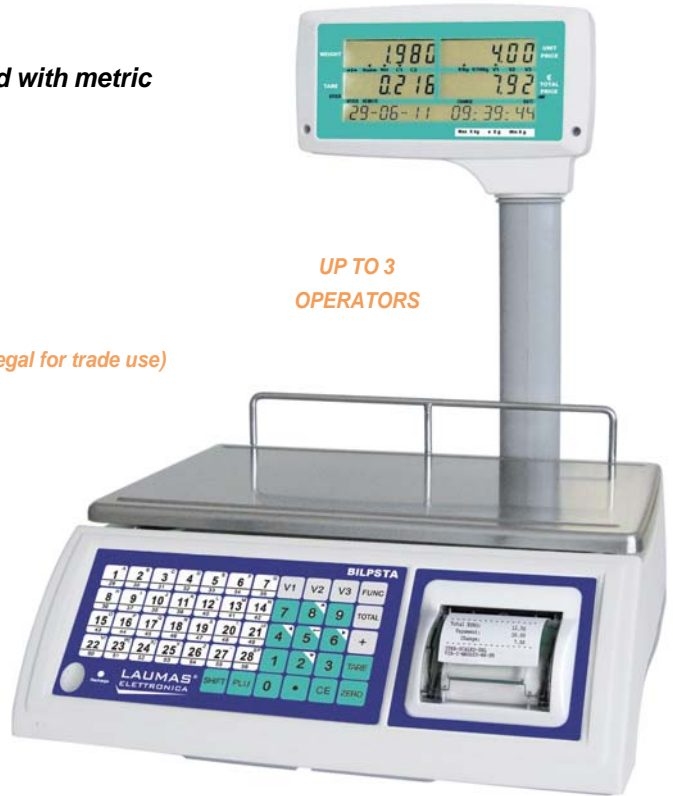


CE-M APPROVED SYSTEM equipped with metric seal (First Verification)

PLATEBACSTA



THERMAL PRINTER INCLUDED



UP TO 3 OPERATORS

(Legal for trade use)

Main Functions

- Simultaneous indication of weight, unit price and payment, tare, date, time and descriptive message
- **Storing up to 99 unit prices (PLU memories) easily recallable from the keypad.**
- **Management up to a maximum of 3 operators.**
- Direct recall up to 56 unit prices from keypad (PLU), for each PLU (article) is possible storing: product name, product code, unit price, unit selling price, unit purchase price, preset tare, level of minimum stock.
- Sale of products depending on the number of pieces.
- Display backlight command(operator and purchaser side)
- Change of unit price: €/kg - €/100g.
- Displaying of the single payment and total payment.
- Calculation of the customer change.
- Automatic deletion enabling of price and tare.
- Setting of preset tare
- Printing of singles/total payment and management of the change calculation function.
- Print function of the archives of sale (daily) and purchase (daily, per period which can be set, in relation to an article-selected product)
- Stock printing with price value goods, articles printing with under level stock
- Displaying and deleting function of one or more totalized weighings.
- "STOCK" function to manage the buying and supplier prices and consequent automatic loading of stock goods.
- Reporting manual loading of stock.
- Reporting articles under level stock.
- For internal use only chance to connect to remote platform for managing purchase goods – loading stock goods.

PRICE COMPUTING "RETAIL" SCALES WITH 100 PLU STORABLE

Features :

Tower displays: 4 Backlit LCD displays on the operator's side and 4 backlit LCD displays purchaser's side with 6 digits 15 mm high, 7 segment. 1 Backlit LCD display on the operator's side and 1 backlit LCD display purchaser's side with 18 digits 10 mm high, 7 segment.
 50-key impermeable keypad.
 RS232 port for PC connection.
 Thermal printer with real time clock, paper roll width 57,5 mm, diameter max 50 mm.
 Print a non tax receipt with letterhead description (for example business name), date, time, operator number (maximum 3), product name, net weight, unit price, payment, total payment (if more articles scored), description of the tail receipt (for example "goodbye and thank you" or website of your business).
 Stainless steel plate 235 x 360 mm.
 Plastic protection cover.
 Power supply: rechargeable internal battery 6V 4Ah (70-180 hours of operating time, depending on the printer's use frequency) with 230VAC power adapter included to recharge battery. Feet adjustable and bubble level.
 Printed user's manual included in the supply.

* DTE100	100 kg max. / nominal load	0.02 kg / division.....
* DTE300	300 kg max. / nominal load	0.05 kg / division.....
* DTE500	500 kg max. / nominal load	0.1 kg / division.....
* DTE1	1000 kg max. / nominal load	0.2 kg / division.....
* DTE3	3000 kg max. / nominal load	0.5 kg / division.....
* DTE5	5000 kg max. / nominal load	1 kg / division.....
* DTE10	10000 kg max. / nominal load	2 kg / division.....
* DTE20	20000 kg max. / nominal load	5 kg / division.....
** DTE30	30000 kg max. / nominal load	5 kg / division.....

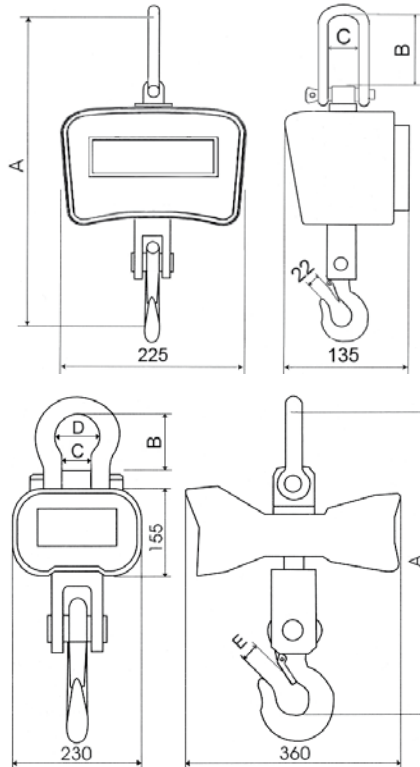
* - Calibration with SIT traceability certificate

** - Ask for technical details

DTE100
DTE300
DTE500
DTE1



mm	DTE100	DTE300	DTE500	DTE1
A	340	350	360	375
B	70	70	85	85
C	20	20	25	25
Weight	4 kg	4 kg	4.5 kg	5 kg



DTE3
DTE5
DTE10
DTE20



mm	DTE3	DTE5	DTE10	DTE20
A	500	590	750	950
B	92	112	130	220
C	41	58	60	80
D	74	90	95	140
E	32	35	55	75
Weight	14 kg	24 kg	44 kg	66 kg

E = hook opening

- High resistance strain gauge cell.
- Top shackle and bottom hook (swivelling for DTE 100, 300, 500, 1; on request for DTE 3 and 5 Euro 90).
- LED display (30 mm high).
- Rechargeable internal battery 6V/10Ah (5Ah for DTE 100, 300, 500, 1); with 70-hour operating time of continuous functioning.
- Power Adapter 230VAC / 9VDC 1.5A to recharge battery.
- Automatic shutdown programmable.
- REMOTE-CONTROL (distance max 10 m) with following functions:
 - ZERO
 - Net / Gross weight selection
 - HOLD function (block of the displayed weight)
 - Memorization of single weights
 - Weights totalization (M+)

TECHNICAL FEATURES

+/- 0.05 % Full Scale	ACCURACY CLASS (% of Full Scale)
IP 64	PROTECTION RATING
150 %	SAFE OVERLOAD (% of Full Scale)
500 %	ULTIMATE OVERLOAD (% of Full Scale)
-10 / +40°C	OPERATING TEMPERATURE RANGE
10 - 90 %	HUMIDITY (condensate free)

Suitable for bridge cranes

DTEN500	500 kg max. / nominal load	0.1 kg division.....
DTEN1	1000 kg max. / nominal load	0.2 kg division.....
DTEN3 ⁽³⁾	3000 kg max. / nominal load	0.5 kg division.....
DTEN5 ⁽⁴⁾	5000 kg max. / nominal load	1 kg division.....
DTEN10	10000 kg max. / nominal load	2 kg division.....
DTEN20	20000 kg max. / nominal load	5 kg division.....

OPTIONS ON REQUEST :

- Calibration with SIT traceability certificate
- 3) - **GANCIO3TGIR** swivel hook for DTEN3.....
- 4) - **GANCIO5TGIR** swivel hook for DTEN5.....

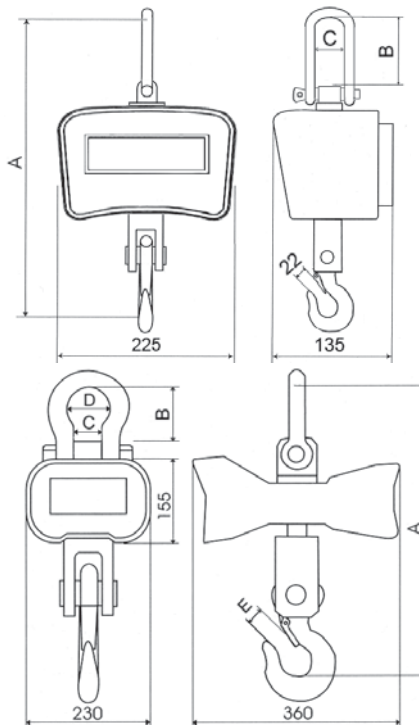
**DTEN500
DTEN1**



(Swivel hook)

mm	DTEN500	DTEN1
A	360	375
B	85	85
C	25	25
Weight	4.5 kg	4.5 kg

Dimensions mm



**DTEN3
DTEN5
DTEN10
DTEN20**



mm	DTEN3	DTEN5	DTEN10	DTEN20
A	500	590	750	950
B	92	112	130	220
C	41	58	60	80
D	74	90	95	140
E	32	35	55	75
Weight	16 kg	25 kg	38 kg	63 kg

E = hook opening

- Crane scale with shackle and hook (swivel for DTEN500-1)
- Five-digit red LED display (30 mm high).
- Remote-Control (distance max 10 m).
- Die-casting aluminium case.
- Power supply with internal rechargeable; power adapter 230VAC/9VDC to recharge battery. 6V 5Ah battery for DTEN500-1 (autonomy: 80-hour operating time of continuous functioning); 6V 10Ah battery for DTEN3-5-10-20 (autonomy: 140-hour operating time of continuous functioning).
- HOLD function (block of the displayed weight).
- Individual weighing and weights totalization.
- Predetermined tare function.
- Net weight and gross indicator.

TECHNICAL FEATURES

+/- 0.03 % Full Scale	ACCURACY CLASS (% of Full Scale)
IP 64	PROTECTION RATING
10	MAX READINGS PER SECOND
150 % F.S.	SAFE OVERLOAD (% of Full Scale)
400 % F.S.	ULTIMATE OVERLOAD (% of Full Scale)
-10°C / +40°C	OPERATING TEMPERATURE RANGE
10 - 90 %	HUMIDITY (condensate free)

DTEP50	50 kg max. / nominal load	0.01 kg division.....
DTEP150	150 kg max. / nominal load	0.02 kg division.....
DTEP300	300 kg max. / nominal load	0.05 kg division.....

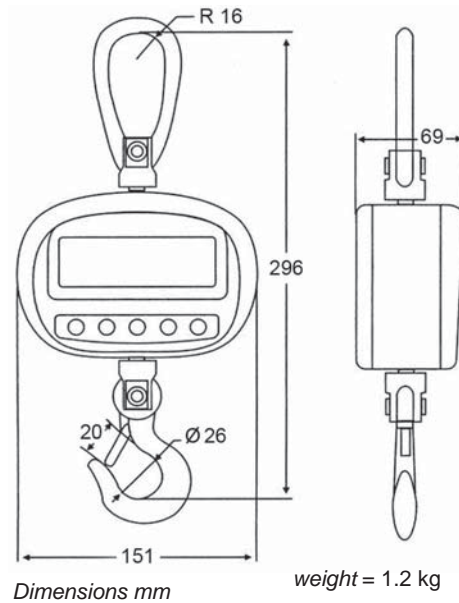
OPTIONS ON REQUEST :

- Calibration with SIT traceability certificate



(Swivel shackle)

(Swivel hook)



- Ultra-light crane scale with swivel shackle and swivel hook.
- Strain gauge load cell.
- Top swivel shackle and bottom swivel hook.
- Five-digit LCD backlighting display (20 mm high).
- ABS plastic case.
- Power supply: 4 batteries AA 1.5V, 80-hour operating time of continuous functioning.
- Automatic shutdown after 30 minutes.
- Steady-state alarm (beep) enabled.

- REMOTE-CONTROL (max distance 10 m) with following functions:
 - Tare zero-setting (net weight)
 - Changing the reading division
 - Backlight enabling.
 - Turning off

TECHNICAL FEATURES

+/- 0.05 % Full Scale	ACCURACY CLASS (% of Full Scale)
IP 54	PROTECTION RATING
150 % F.S.	SAFE OVERLOAD (% of Full Scale)
200 % F.S.	ULTIMATE OVERLOAD (% of Full Scale)
-10 / +40°C	OPERATING TEMPERATURE RANGE
10 - 90 %	HUMIDITY (condensate free)

SUITABLE FOR BRIDGE CRANES

DTER3	3000 kg max. / nominal load	0.5 kg division.....
DTER5	5000 kg max. / nominal load	1 kg division.....
OPTIONS ON REQUEST :		
- Calibration with SIT traceability certificate		

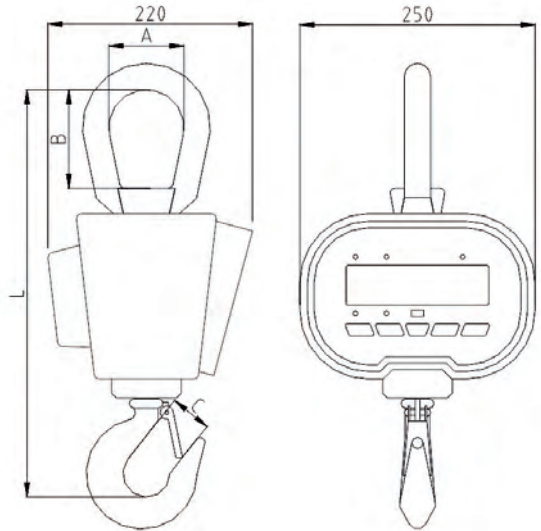
DTER3
DTER5



(COMPACT AND LIGHTWEIGHT VERSION)

mm	DTER3	DTER5
A	70	85
B	100	115
C	35	40
L	420	480
Weight	11 kg	15 kg

C = hook opening



Dimensions (mm)

- Crane scale with shackle and swivel hook.
- Five-digit red LED display (30 mm high).
- Remote-Control (max distance 10 m).
- Die-casting aluminium case.
- Power supply with internal rechargeable 6V 3.2Ah battery. Power adapter 230VAC / 9VDC to recharge battery (80 hours operating time of continuous functioning); included spare battery.
- HOLD function (block of the displayed weight).
- Individual weighing and weights totalization.
- Predetermined tare function.
- Net weight and gross indicator.

TECHNICAL FEATURES

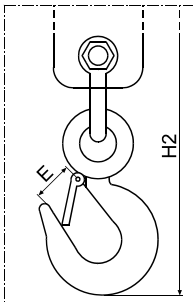
+/- 0.03 % Full Scale	ACCURACY CLASS (% of Full Scale)
IP 64	PROTECTION RATING
10	MAX READINGS PER SECOND
150 % F.S.	SAFE OVERLOAD (% of Full Scale)
400 % F.S.	ULTIMATE OVERLOAD (% of Full Scale)
-10°C / +40°C	OPERATING TEMPERATURE RANGE
10 - 90 %	HUMIDITY (condensate free)

* DTEZ3	3000 kg max. / nominal load	1 kg division.....
* DTEZ5	5000 kg max. / nominal load	2 kg division.....
* DTEZ10	10000 kg max. / nominal load	5 kg division.....
DTEZ20	20000 kg max. / nominal load	10 kg division.....
DTEZ30	30000 kg max. / nominal load	10 kg division.....

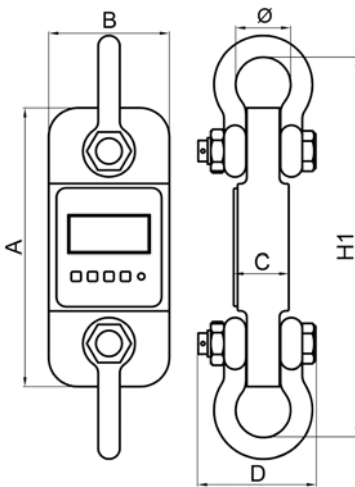
OPTIONS ON REQUEST :

- Calibration with SIT traceability certificate
- **TELEDTEZ** wireless remote control display for weight radio transmission (range 15 m)
- **TELEDTEZPRINT** wireless remote control display with printer. .
- Hook for DTEZ3
- Hook for DTEZ5
- Hook for DTEZ10

OPZIONE GANCIO
(HOOK OPTION)



Dimensions (mm)



mm	DTEZ3	DTEZ5	DTEZ10	DTEZ20	DTEZ30
A	260	285	320	420	420
B	123	123	120	128	138
C	37	57	57	74	82
D	103	120	183	230	265
Ø	51	58	92	127	146
H1	365	405	535	660	740
H2	555	635	840	-	-
E	55	65	95	-	-
Weight	4.1 kg	6.2 kg	23.2 kg	44.6 kg	62.5 kg
Hook weight	3 kg	5.5 kg	5.9 kg	-	-
Material	Aluminium		Alloy steel		

OPTIONAL REMOTE CONTROLS NEEDED TO PERFORM THE CALIBRATION AUTONOMOUSLY



* **BRIEFCASE INCLUDED FOR NOMINAL LOAD 3 TO 10 t(*)**

- Multifunction portable crane scale with two shackles.
- Five-digit backlit LCD display (25 mm).
- On request: remote control with printer.
- Power supply with three batteries AA 1.5V (50-hour operating time of continuous functioning).
- Peak function (maximum value read).
- Weight totalization.
- Net weight and gross indicator.
- (*) Aluminum briefcase included for 3-10ton capacity.

TECHNICAL FEATURES

+/- 0.1 % Full Scale	ACCURACY CLASS (% of Full Scale)
IP 64	PROTECTION RATING
10	MAX READINGS PER SECOND
150 % F.S.	SAFE OVERLOAD (% of Full Scale)
400 % F.S.	ULTIMATE OVERLOAD (% of Full Scale)
-10°C / +40°C	OPERATING TEMPERATURE RANGE
10 - 90 %	HUMIDITY (condensate free)



by e-ticino.info

Pires Ribeiro Lo Leggio

Internet Services
CH 6963 Pregassona

Postfinance 65-233456-7 CHF
IBAN: CH64 0900 0000 6523 3456 7

Fattura #2274

Data Fattura: 29.08.2014

Data Scadenza: 01.09.2014

Fatturato A

Dario Incantalupo
Piazza Insubria n°1
Milano, MI, 20137
Italy

PAGATO

Descrizione	Totale
SWISS managed CMS - attollo.ch (29.08.2014 - 28.02.2015)	42.00 CHF
Sub Totale	42.00 CHF
Credito	0.00 CHF
Totale	42.00 CHF

Transazioni

Data della transazione	Gateway di pagamento	ID della transazione	Ammontare
29.08.2014	PayPal (accetta tutte le CC)	9VP52743YA125341U	42.00 CHF
	Saldo		0.00 CHF

LBIL 500 g **0.05 g** division

OPTIONS ON REQUEST :

- Calibration with SIT traceability certificate



- DIMENSIONS 110 x 72 x h 16.6 mm
- STAINLESS STEEL LOADING TOP 60 x 60 mm
- PLASTIC STRUCTURE WITH PROTECTION COVER

- Pocket mini scales with protection cover.
- Five-digit blue backlit LCD display (14 mm), 7 segment.
- Tare zero-setting function.
- Three-key impermeable keyboard.
- Power supply: two batteries 1.5V type AAA (150-hour operating time).
- Operating temperature -10 °C + 40 °C.
- Overload protection.
- Weight 130 g.

LBIL 3 kg **0.1 g** division

OPTIONS ON REQUEST :

- Calibration with SIT traceability certificate



- DIMENSIONS 133 x 95 x h 33 mm
- STAINLESS STEEL LOADING TOP 84 x 68 mm
- PLASTIC STRUCTURE WITH PROTECTION COVER

- Pocket mini scales with protection cover.
- Five-digit blue backlit LCD display (14 mm), 7 segment.
- Tare zero-setting function.
- Four-key keyboard.
- Power supply: four batteries 1.5V type AAA (150-hour operating time).
- Operating temperature -10 °C + 40 °C.
- Overload protection.
- Weight 320 g.

LBIL 500 g **0.05 g** division

OPTIONS ON REQUEST :

- Calibration with SIT traceability certificate



- DIMENSIONS 110 x 72 x h 16.6 mm
- STAINLESS STEEL LOADING TOP 60 x 60 mm
- PLASTIC STRUCTURE WITH PROTECTION COVER

- Pocket mini scales with protection cover.
- Five-digit blue backlit LCD display (14 mm), 7 segment.
- Tare zero-setting function.
- Three-key impermeable keyboard.
- Power supply: two batteries 1.5V type AAA (150-hour operating time).
- Operating temperature -10 °C + 40 °C.
- Overload protection.
- Weight 130 g.

LBIL 3 kg **0.1 g** division

OPTIONS ON REQUEST :

Calibration with SIT traceability certificate



- DIMENSIONS 133 x 95 x h 33 mm
- STAINLESS STEEL LOADING TOP 84 x 68 mm
- PLASTIC STRUCTURE WITH PROTECTION COVER

- Pocket mini scales with protection cover.
- Five-digit blue backlit LCD display (14 mm), 7 segment.
- Tare zero-setting function.
- Four-key keyboard.
- Power supply: four batteries 1.5V type AAA (150-hour operating time).
- Operating temperature -10 °C + 40 °C.
- Overload protection.
- Weight 320 g.